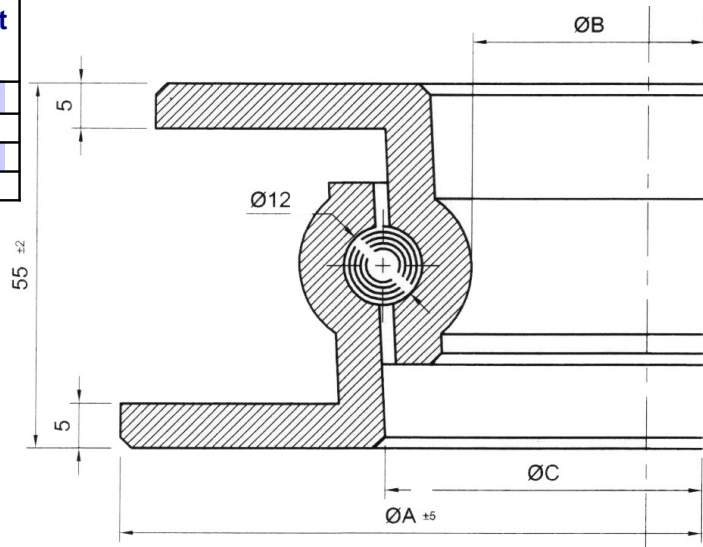


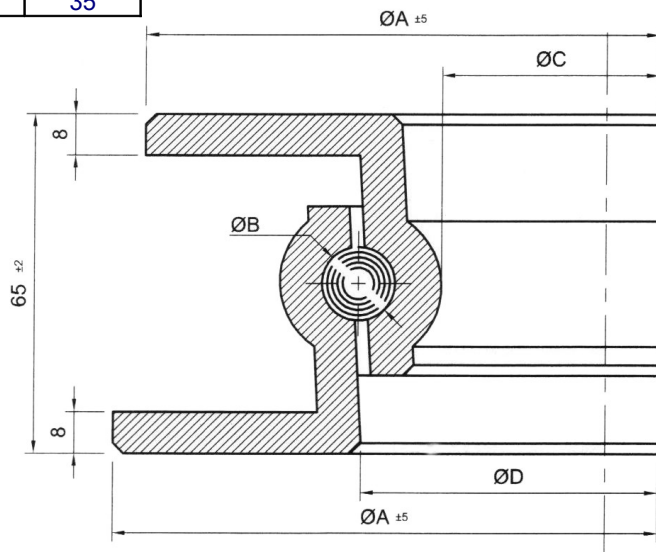


Ball bearing turntables HB Series for slow moving vehicles (max. 40 km/h) and industrial application

Type	Measurements (mm)			Axial Load (t)	Weight (kg)
	$\varnothing A \pm 5$	$\varnothing B$	$\varnothing C$		
HB – 300 / 55	300	200	220	0,5	5
HB – 400 / 55	400	300	320	0,75	8
HB – 500 / 55	500	400	420	1,0	10



Type	Measurements (mm)				Axial Load (t)	Weight (kg)
	$\varnothing A \pm 5$	$\varnothing B$	$\varnothing C$	$\varnothing D$		
HB – 600 / 65	600	14	490	516	1,7	18
HB – 650 / 65	650	14	543	568	1,7	20
HB – 700 / 65	700	14	594	626	2,2	22
HB – 750 / 65	750	14	640	668	2,2	24
HB – 800 / 65	800	14	690	718	2,5	26
HB – 850 / 65	850	14	742	767	3,0	28
HB – 900 / 65	900	14	793	820	3,5	30
HB – 950 / 65	950	14	843	870	3,5	31
HB – 1000 / 65	1000	14	895	920	4,0	33
HB – 1050 / 65	1050	14	945	970	4,5	35

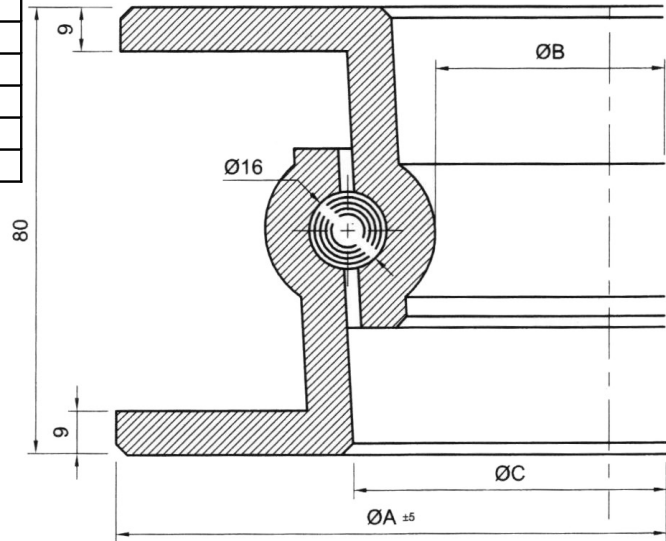


Please observe our maintenance and mounting guidelines.
The specifications are subject to alteration without notice.

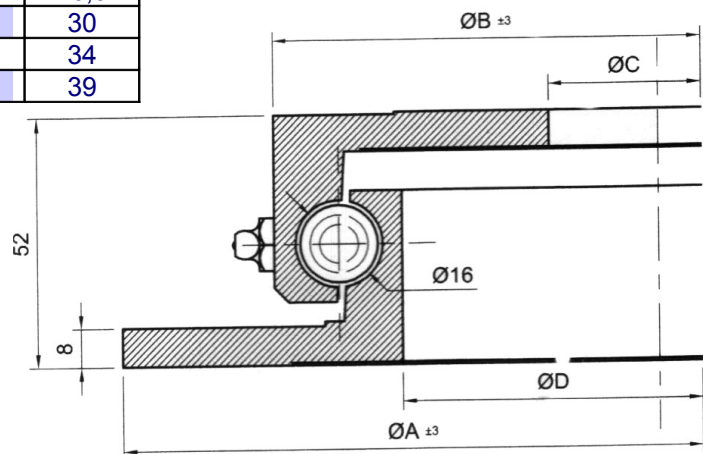


Ball bearing turntables HB Series for slow moving vehicles (max. 40 km/h) and industrial application

Type	Measurements (mm)			Axial Load (t)	Weight (kg)
	$\varnothing A \pm 5$	$\varnothing B$	$\varnothing C$		
HB – 900 / 80	890	766	795	5,0	36
HB – 1000 / 80	1000	888	916	6,0	42
HB – 1100 / 80	1100	976	1005	6,5	45
HB – 1000 / 90	1000	856	889	8,0	60
HB – 1100 / 90	1100	948	980	10,0	65



Type	Measurements (mm)				Axial Load (t)	Weight (kg)
	$\varnothing A \pm 5$	$\varnothing B$	$\varnothing C$	$\varnothing D$		
HB – 500 / 52Z	500	434	315	381	1,8	17,5
HB – 650 / 52Z	650	584	465	531	2,5	23,0
HB – 750 / 52Z	750	684	565	631	3,0	26,0
HB – 850 / 52Z	850	784	665	731	3,5	30
HB – 950 / 52Z	950	884	765	831	4,0	34
HB – 1050 / 52Z	1050	984	865	931	5,0	39



Please observe our maintenance and mounting guidelines.
The specifications are subject to alteration without notice.